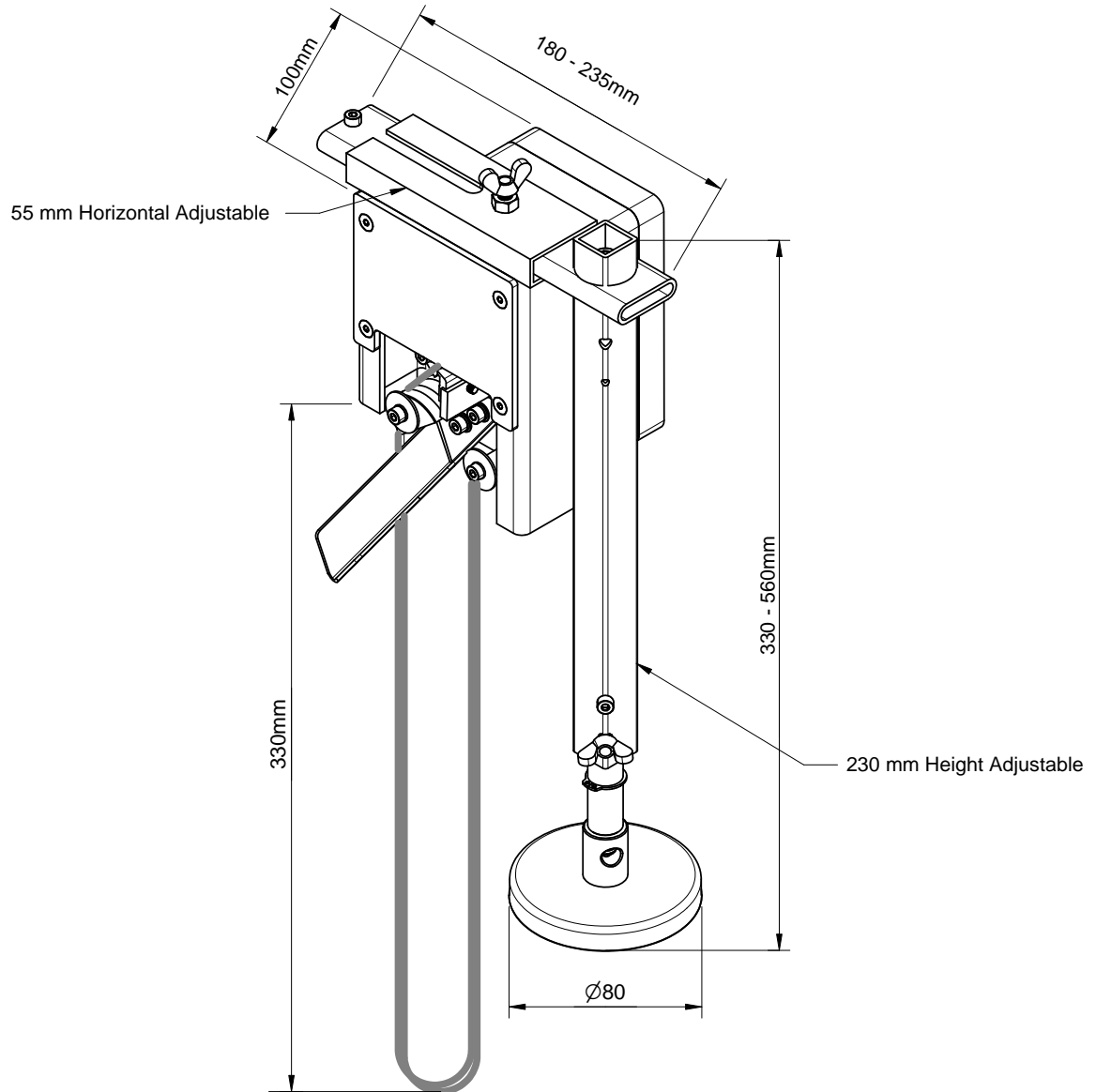


REVISIONS			
REV	DESCRIPTION	DATE	APPROVED
02	NEW COVER DESIGN	06.03.09	JH



GENERAL TOLERANCES FOR FORM AND POSITION USE TOLERANCE DIN-ISO 2768-M	DRAWN JH	DATE 06.03.09	<b>MetalStream Solutions, LLC</b>		
	CHECKED				
THIS DOCUMENT AND ALL INFORMATION THERE IN CONTAINED ARE OUR EXCLUSIVE PROPERTY. THE CLIENT AGREES NOT TO REPRODUCE, COPY, USE OR TRANSMIT DOCUMENT AND / OR INFORMATION THERE IN CONTAINED FOR ANY PURPOSE. EXEPT WITH OUR WRITTEN PERMISSION.	MATERIAL SEE NOTES	FINISH SEE NOTES	SIZE <b>A</b>	DWG NO. 40.410	REV <b>02</b>
	APPROVED JH		SCALE 1 : 3	FILE FLEXO-40410-website.AD_DRW	SHEET 1 OF 1